

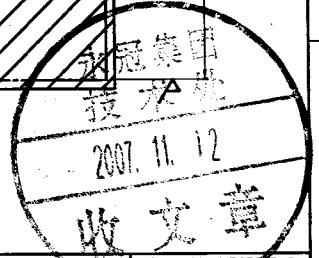
- Note:
1. 材質: Ductile Iron  
Casting 依 ASTM A536,  
Grade 65-45-12
  2. 化學成份和物理機械性質證明文件  
須於出貨時提出。(零件上必須有字號)
  3. 所有圖面之尺寸均加2碼公差
  4. 有加2碼字號尺寸必須加2碼公差
  5. 按特別指示, 一般圖面之公差為 ±0.2

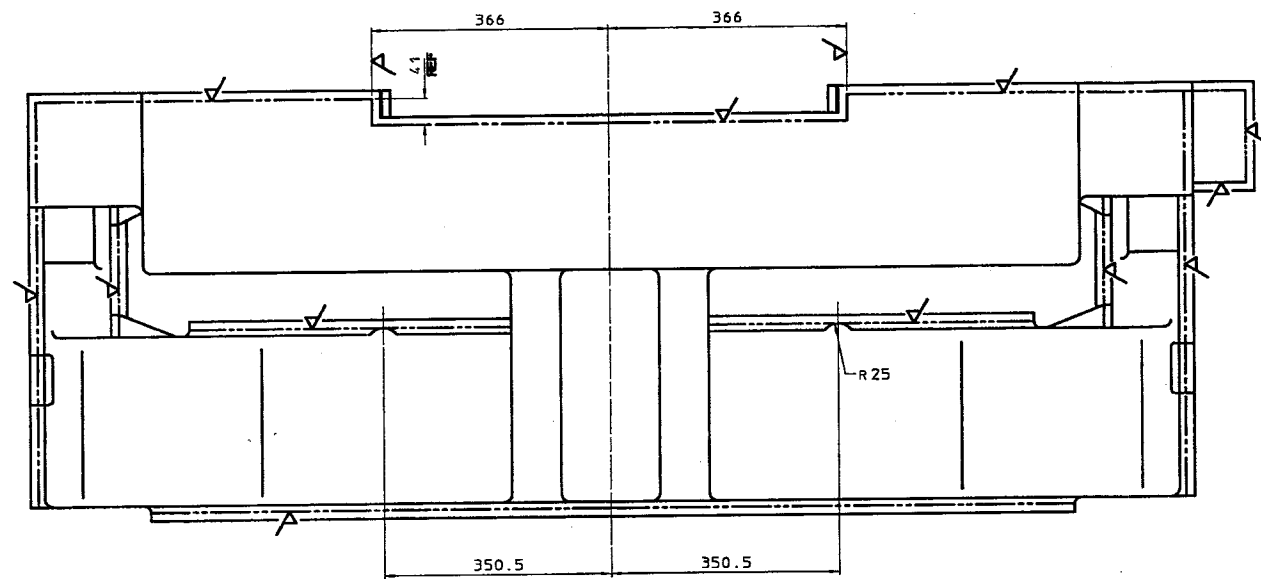
- NOTES:
1. MATERIAL: DUCTILE IRON TO ASTM A536 GRADE 60-45-12
  2. CERTIFICATION MUST BE SUPPLIED TO FARREL O.C. MANAGER FOR MATERIAL CHEMISTRY AND PHYSICALS.
  3. ALL DIMENSIONS SHOWN ARE APPROXIMATE FINISHED DIMENSIONS.
  4. PROVIDE FINISH ALLOWANCE ON DIMENSIONS MARKED
  5. FILLETS AND RADIUS R12 UNLESS OTHERWISE STATED.
  6. CASTING MAKES EITHER D.E. OR W.E. FRAME.

\*\*\* 加2碼公差請參考  
加2圖面圖字 BM440-31001

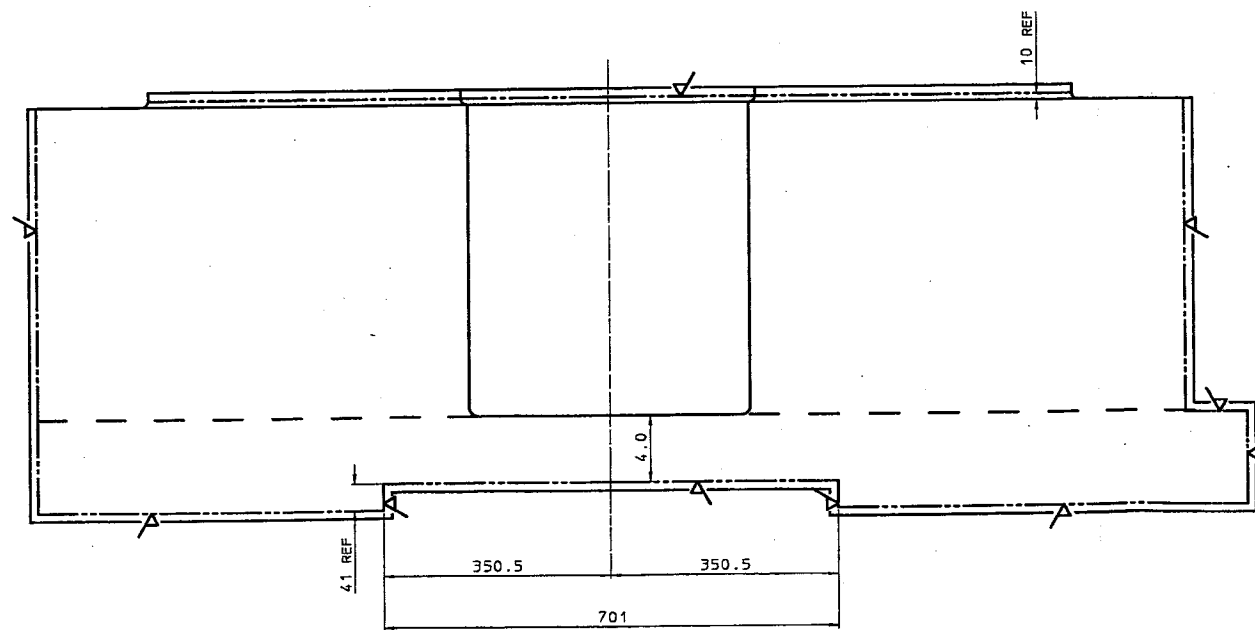
SECTION 'A-A'

|  |                               |
|--|-------------------------------|
| PC   | 7000 Kg (15432 lbs)           |
|  | EST. ROUGH WEIGHT             |
| NO TOLERANCE TO LINE OR OTHERWISE IT IS STATED FOR ANY PART OF THE DRAWING. ALL IN |                               |
| SCALE 1 : 5  | NOTED SIZE F440 BANBURY MIXER |
| 370BM31500   | CASTING                       |
|  | ENDFRAME                      |
| P. F. SHAW 29/04/05  | D BM440-31999                 |
| R. WASHINGTON 29/04/05   |                               |
| R. WASHINGTON 29/04/05   |                               |

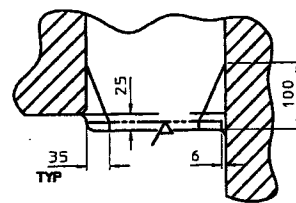




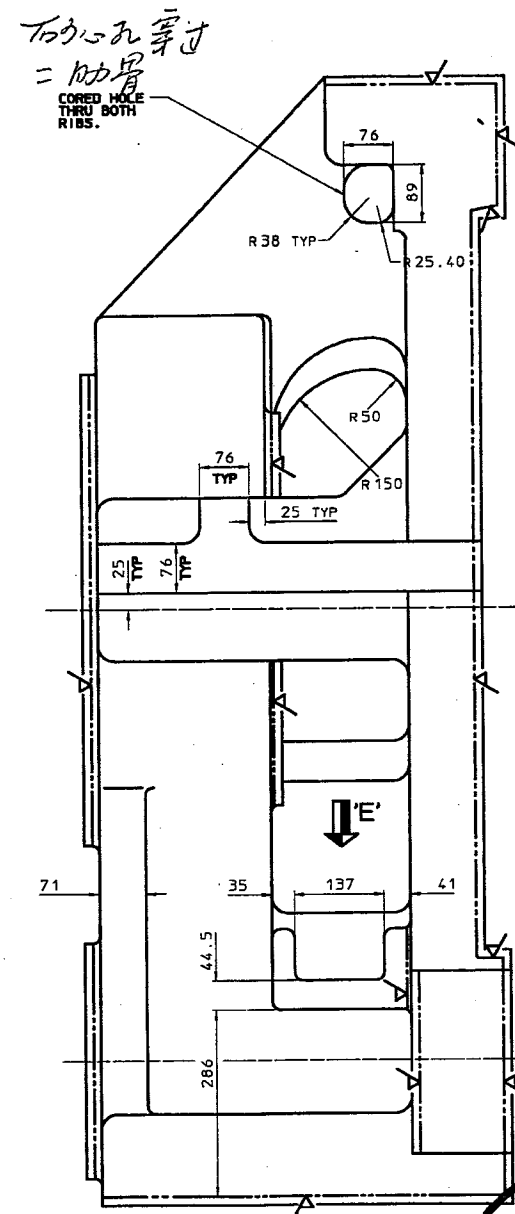
VIEW ON ARROW 'C'



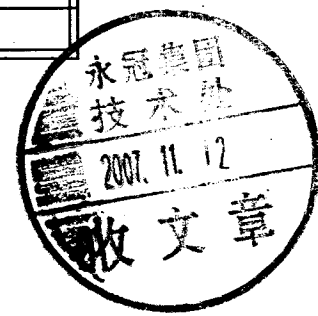
VIEW ON ARROW 'D'



VIEW ON ARROW 'E'



VIEW ON ARROW 'B'



|   |                     |
|---|---------------------|
| PC  | 7000 Kg (15432 lbs) |
|   | EST. ROUGH WEIGHT   |
| NO LICENSE TO USE OR ENLARGE IT TO OTHERS FOR ANY PURPOSES WITHOUT THE WRITTEN PERMISSION OF THE COMPANY. |                     |
| SCALE 1 : 5   | NOTED               |
| SIZE F440 BANBURY MIXER   |                     |
| 370BM31500  | CASTING             |
|   | ENDFRAME            |
| P. F. SHAW 29/04/05   |                     |
| R. WARBURTON 29/04/05   |                     |
| R. WARBURTON 29/04/05   |                     |
| DBM440-31999  |                     |
| 2 2   |                     |

2